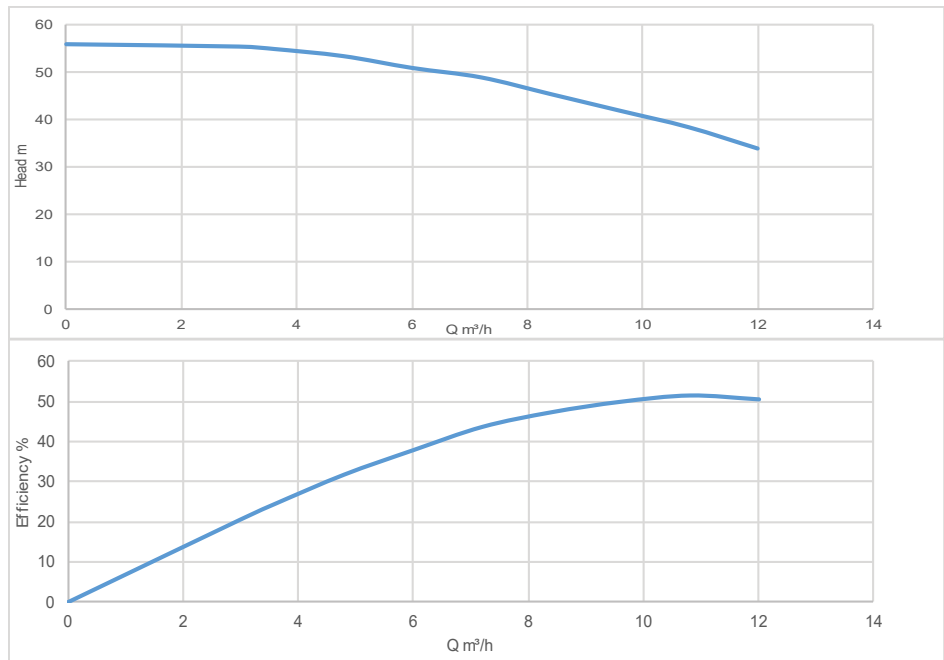


Rovatti Vertical multi-stage pump, type compact ME



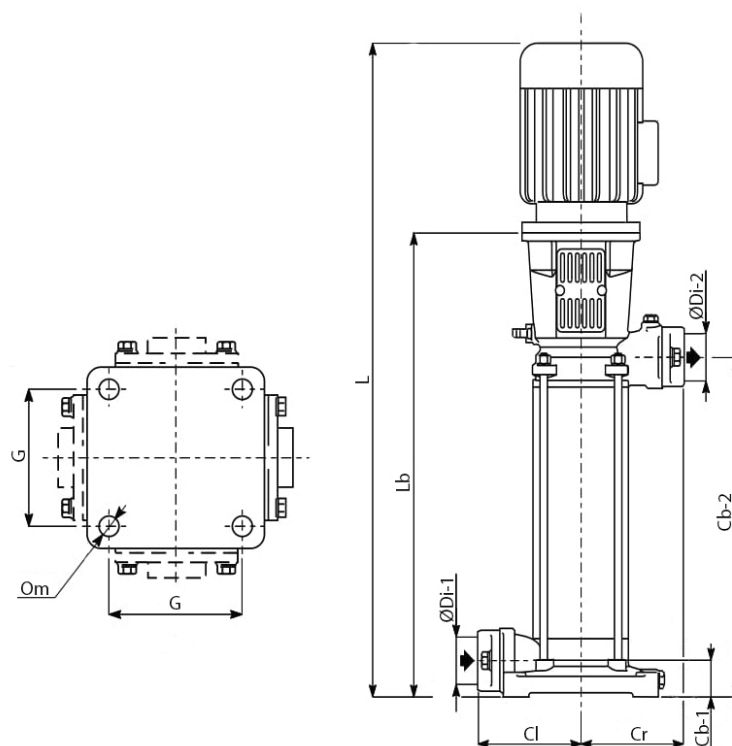
Performance Curve

Pump data

Pump Model	P2		Connections		Full Load Current (A)	Rated Voltage (V)
	HP	kW	Di-1	Di-2		
7024336	3	2.2	2"	2"		230/400V

Q (m³/h)	0	3	3.5	5	6	7	8.5	9.5	11	12
H (m)	56	55.5	55	53.5	51	49	45.5	42	38.5	34

Pump Diagram



Model	L	Lb	Cl	Cr	Cb-1	Cb-2	G	Om	Di-1	Di-2
7024336		486	139	139	40	331	180	14	2"	2"