

Sand Filter
7024311

Technical Drawing

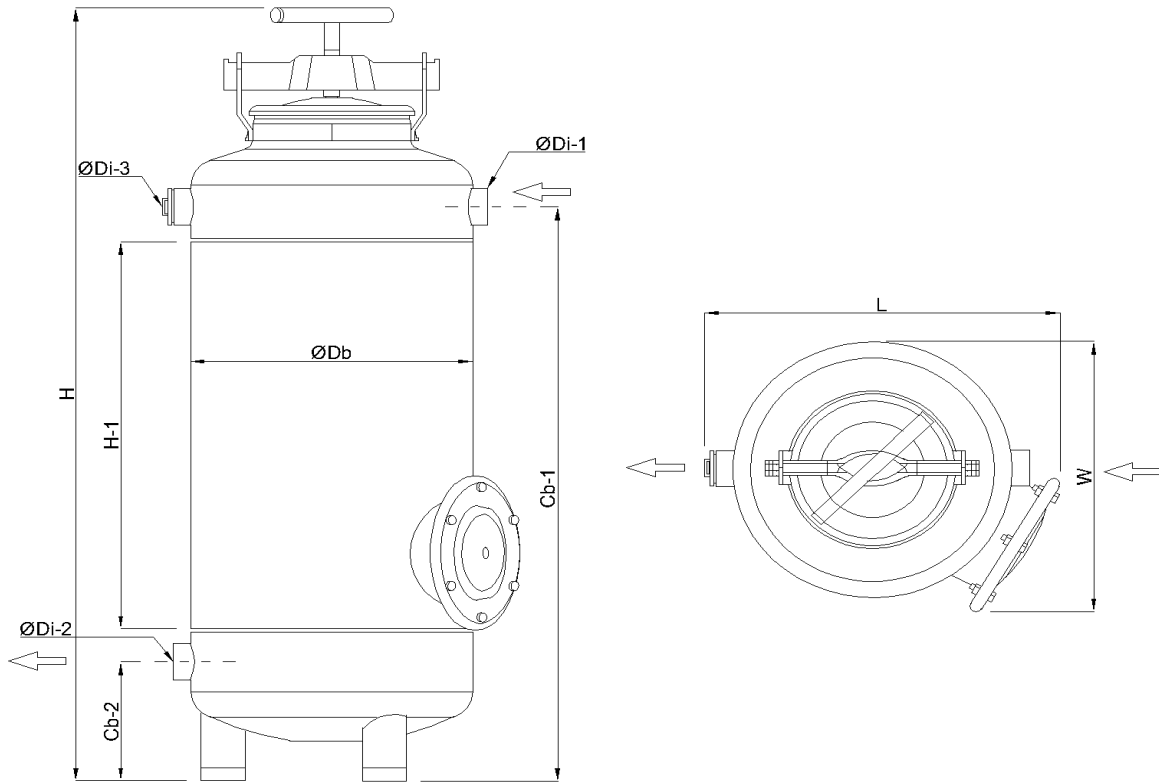


Table of size in (mm)

Model	L	W	H	H-1	Cb-1	Cb-2	Db	Di-1	Di-2	Di-3	Recom. Flow Rate (m ³ /h)	Backwash Flow Rate (m ³ /h)	Filtration area (m ²)	Weight Unit (kg)	No. Gravel bags of 25 kg
7024311	449	411	1171	590	870	180	16"	1.5"	1.5"	1.5"	5.3-9	10	0.12	48	3