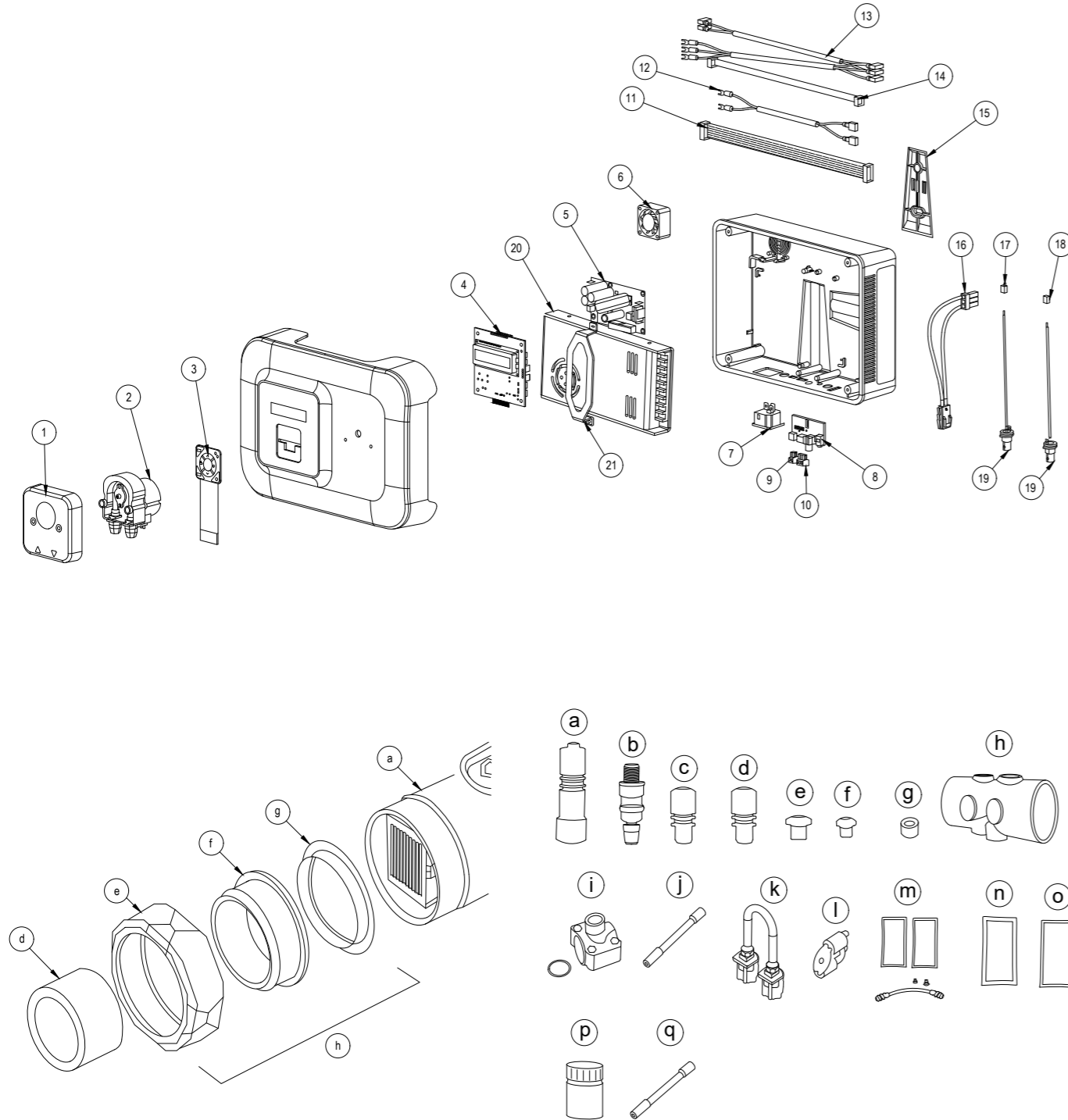


7027993 - NORSUP SALT CHLORINATOR, TYPE OCEANCLEAR



7027993 - NORSUP SALT CHLORINATOR, TYPE OCEANCLEAR

NR.	REFERENCE	DESCRIPTION	PART NR.
1	NC	Pump cover	
2	ACCE005057-PDC	Pump	7032169
3	INTE002112-PDC	Keyboard	7032170
4	CART006123	Control board	7038522
5	CART006128-V3/V4	Power board	7038523
6	SENS006015-PDC	Fan 40x40 24V	7032171
7	CONN003041-PDC	Power supply connection	
8	CART006119	Connection board	
9	CONN002019-PDC	ext connector	
10	CONN002020-PDC	ext connector	
11	CABL005146-PDC	Flat cable HE-10 14pts	
12	CABL005143-PDC	Cable SMPS to power board	
13	CABL005121-PDC	Cable power supply to SMPS and pump	
14	CABL005147-PDC	Flat cable 6pts	
15	SENS008041-PDC	Wall support + screw	
16	CABL005014-PDC	Cell connection	
19+17	KIT07CABORPGEN-PDC	Kit cable + connector ORP genesis	7032166
19+18	KIT07CABPHGEN-PDC	Kit cable + connector pH genesis	7032167
20	ALIM001002-PDC	Switching power supply 320W	7038524
21	MECA001196-PDC	SMPS flange	
NC	CABL005006-PDC	Cell cable 2m 4mm2	7032172
NC	CABL005105-PDC	Supply cable	
NC	PROT002013-PDC	Fuse T6,3 A set of 5	7032168
a	CELX12TRA09P	7P mixt cell translu blue	7028033
b	NC		
c	NC		
d	ACCE002005-PDC	Reduction 63/50	7032173
e	MECA002281-PDC	Cell flange Ø 63 for cell + o'ring	
f	MECA002283-PDC	Cell PVC screw 3"	
g	ASSE012010-PDC	Flat gasket for cell from 2002	7032174
h	SENS008003-PDC	CELL Connection kit (x2 parts)	7032175
j	ELEC02POO001-PDC	Grounding electrode (Accessories holder)	7032176
a	ACCE002056-PDC	Suction strainer	7032176
c	ACCE002059-PDC	Injection connector 1/2"	7032177
d	ACCE002041-PDC	Probe holder	7032178
e	ACCE002001-PDC	Cap Ø1/2"	7032179
f	ACCE002003-PDC	Cap Ø3/4"	7032180
g	ACCE002087-PDC	Female cap 1/2'	7032181
h	MECA002025-PDC	Accessories holder w/o cap	7028036
i	ACCE002021-PDC	Saddles 50 x 1/2	7032182
j	MESU003002-PDC	pH probe AMBER	7028034
k	ACCE005005-PDC	Pump hose	7032183
l	ACCE005031-PDC	Roller holder	7032184
m	KIT02MAINMTP-PDC	pH pump maintenance kit	7032185
n	ACCE007119-PDC	Calibration solution pH7 (x30)	
o	ACCE007116-PDC	Calibration solution pH10 (x30)	
p	ACCE007040-PDC	Calibration solution ORP	
q	MESU003206-PDC	Gold ORP probe	7028035