

Automatic hydraulic filter
7024330

Technical Drawing

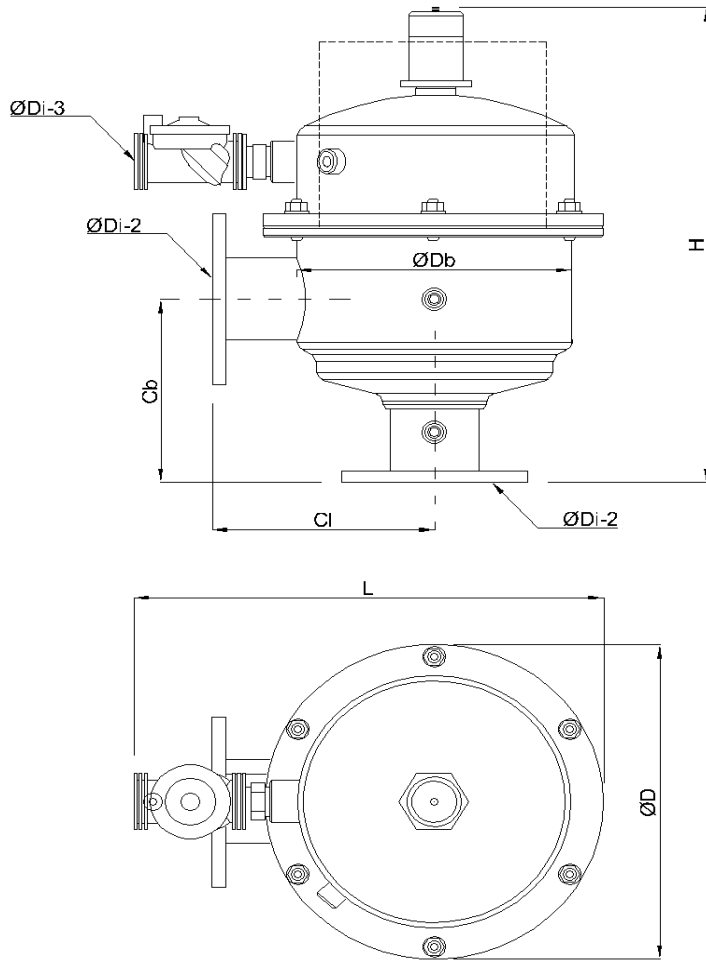


Table of size in (mm)

Model	L	H	Cl	Cb	D	Db	Di-1	Di-2	Di-3	Max Recom. Flow Rate m ³ /h	Backwash Flow Rate m ³ /h	Screen area (m ²)	Shipping Weight (kg)	Packaging Volume LxWxH (m)
7024330	465	507	220	197	337	10"	3"	3"	1"	40	6	1100	45	0.8x0.6x0.6