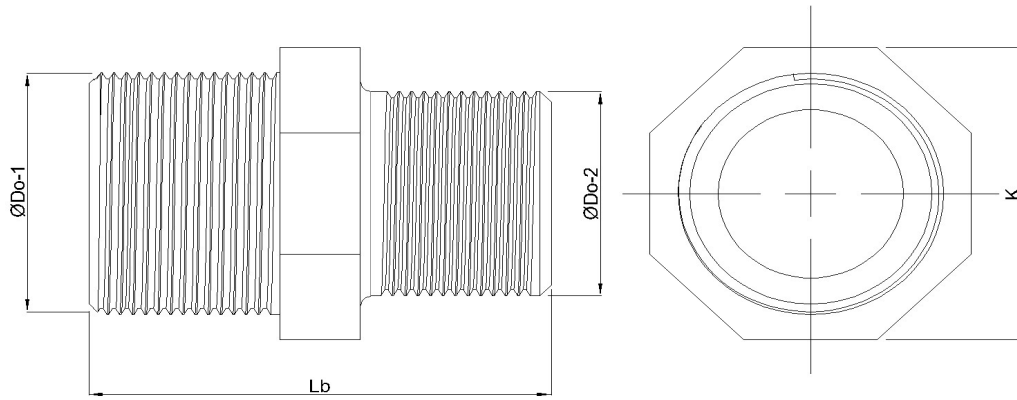
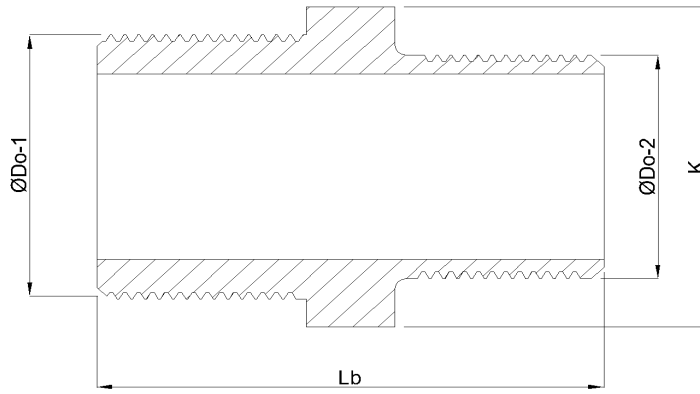


Reducing nipple

2D drawing for catalogue / quick selection



2D drawing for specification Check



| Item No: | $\varnothing Do-1$ | $\varnothing Do-2$ | Lb | K |
|----------|--------------------|--------------------|----|----|
| 110547 | 3/8" | 1/4" | 36 | 24 |

All Dimension are in mm