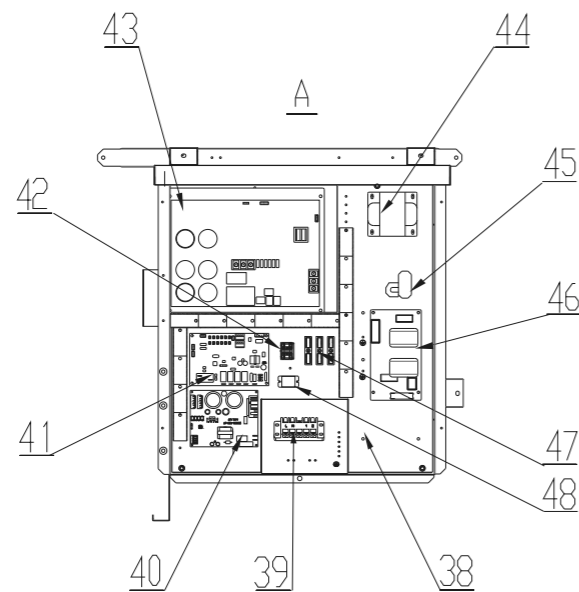
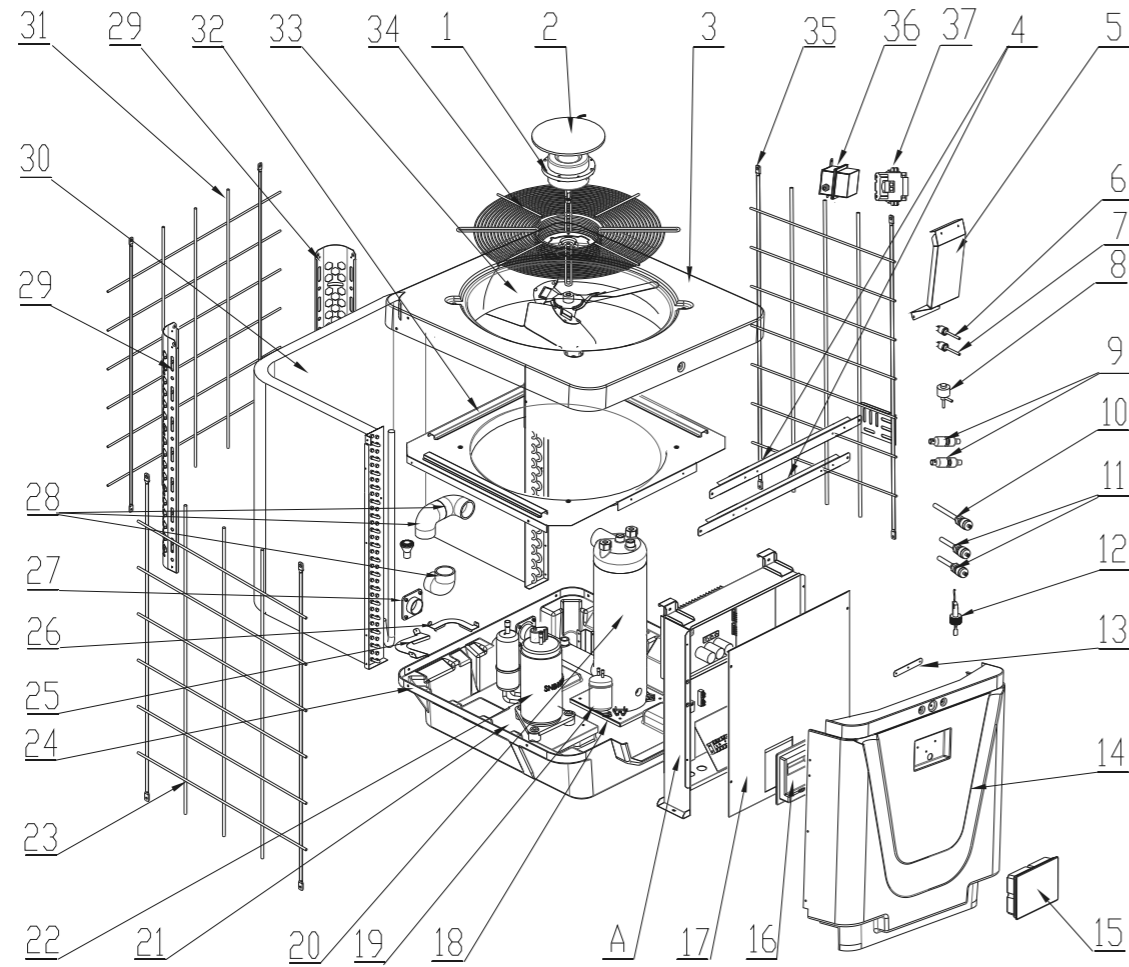


7026969 - NORSUP HEAT PUMP, TYPE PV INVERTER (TYPE P24V/32)



7026969 - NORSUP HEAT PUMP, TYPE PV INVERTER (TYPE P24V/32)

NR.	DESCRIPTION	PART NR.
1	Fan motor 200W ZWS200-B3	7027686
2	Cover plate	
3	Top cover	
4	Stabilizer	
5	Fan protection plate	
6	High pressure switch 3.2MPa/4.4MPa	7011008
7	Low pressure switch 0.3MPa/0.15MPa	7011009
8	Electronic expansion valve	
9	Filter	
10	Needle valve(1)	
11	Needle valve(2)	
12	Water flow switch with glue adapter 32 mm	7006471
13	Surface box fixed plate	
14	Front pannel	
15	Colorful display 20000-430176-8200047	7024942
16	Junction box body	
17	Electrical box support plate	
18	Titanium pipe support	
19	Fluid reservoir	
20	heat exchanger P24V/32 & P24TV/32	7027693
21	Compressor bracket	
22	Compressor SVB220FLGMC-L	
23	Middle Protection net	
24	Chassis	
25	conduit bend	
26	conduit bend	
27	Water connection	
28	Fittings	
29	Rear support column	
30	Evaporator	
31	Back protect net	
32	Top support plate	
33	Fan blad $\Phi 560\text{mm} \times 150\text{mm}$, 12.7mm hole anticlockwise	7027688
34	Fan net	
35	Left&Right protection net	
36	connector block AC	
37	AC contactor(compressor)	
38	Support plate	
39	5-way wire connector	7011025
40	Fan speed control module 20000-430228+35005-310617	7027685
41	PC1004 PCB controller 72200033-20000-430227 type P24V/32	7027672
42	Relay	
43	Inverter driverboard 2AC32I07WM1	7027679
44	Reactance	
45	Relay	
46	Filter plate AC19I32.RWL.150813	7027682
47	2-way wire connector	7011019
48	Relay	
	Temperature sensor(5K)	7011007
	Exhausted temperature sensor 50K	7024867
	Pressure meter 0-55bar gas R 32 (-15°C)Pressure gage	7026259
	Mega Union coupler with O-ring PVC-U 50 mm x 1 1/2" glue socket x male thread 10bar grey	0100432
	Wifi module for Norsup PX, PV series	7027389
	10mtr extension cable + display housing Norsup PX/V-series	7025131
	winter cover 770x990x970 mm	7027697