



## **1. DESCRIPTION**

The valve in object is a safety valve with direct load in which the closing mechanical strength is obtained through spring.

The valve is realized for use in agricultural field to be employed on tankers carrying slurries (fluids belonging to group 2 – ref. Art.13 point 1 letter a) DIR 2014/68/CE) with allowable maximum pressure of 4 bar and classified in class III (ref. annex II – table 2 DIR 2014/68/CE). These tankers are emptied through an increasing of pressure of the air-pocket which is between the fluid level and the upper part of the tanker. The function of the valve is to avoid that the pressure inside the tanker would exceed the established limit. Through the valve there is only a discharge of air, there isn't passage of fluid or of fumes in pressure.

The working temperature of the valve changes according to climatic conditions to which the slurry –tank is exposed. Due to the big size of the tankers, the working pressures are usually included within 1,5 bar.

## **2. CLASSIFICATION**

The valves object of this dossier could be classified in class III according to what established at point 2 of the annex II of the directive 2014/68/CE. These valves are in fact used to protect specific equipments (tankers carrying slurries) classified in class III, are not useable on equipment in pressure in IV category.

To affix the CE mark has been applied the H form.

## **3. MANUFACTURER**

The valves object of this issue are manufactured by :

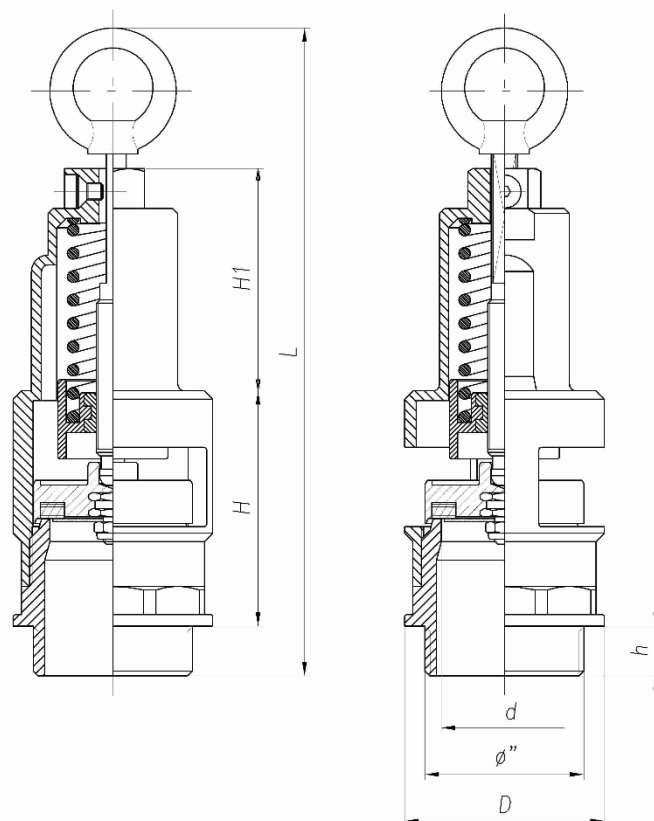
Metaltecnica srl - Via G. Matteotti, 151 - 28077 Prato Sesia (NO)

Company with certified Quality System UNI EN ISO 9001:2015 by BUREAU VERITAS ITALIA spa (certificate n. IT257434 dated 24/07/2017).

## 6. OVERALL DIMENSIONS

### ART. 0860

	CODE
Safety valve 1"	ARZO 0860 025 000
Safety valve 1"1/4	ARZO 0860 032 000
Safety valve 1"1/2	ARZO 0860 040 000
Safety valve 2"	ARZO 0860 050 000
Safety valve 2"1/2	ARZO 0860 070 000



Ø"	d	D	h	H	H1	L	Weight gr
1"	25	45	14	53	65	188	500
1"1/4	32	54	14	70	67	193	760
1"1/2	38	60	15	71	67	195	880
2"	47	72	16	70	67	195	1.000
2"1/2	65	89	16	56,5	68,5	195	1.200