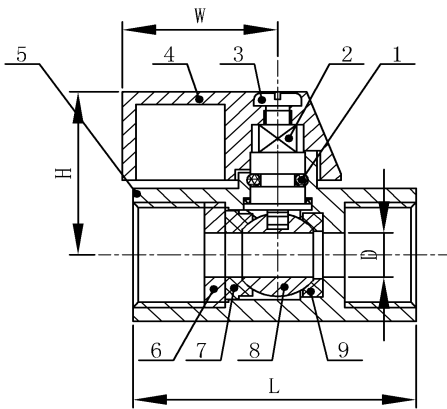


MINI BALL VALVE (Measures:mm)

MINI BALL VALVE Type- I F/F (mm)



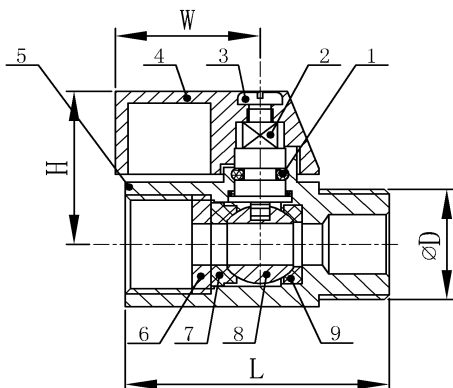
MATERIAL LIST

ITEM	DESCRIPTION	MATERIAL
1	O-RING	RUBBER
2	STEM	304
3	BOLT	304
4	LEVER	ALUMINUM ALLOY
5	BODY	304/316
6	CAP	304/316
7	BALL SEAT(A)	RPTFE
8	BALL	304/316
9	BALL SEAT(B)	RPTFE

DIMENSION TABLE(mm)

DN	Size	D	L	H	W
8	1/4"	7.0	41.5	25.0	22.8
10	3/8"	7.0	41.5	25.0	22.8
15	1/2"	9.0	47.0	28.5	22.8

MINI BALL VALVE Type- II M/F (mm)



MATERIAL LIST

ITEM	DESCRIPTION	MATERIAL
1	O-RING	RUBBER
2	STEM	304
3	BOLT	304
4	LEVER	ALUMINUM ALLOY
5	BODY	304/316
6	CAP	304/316
7	BALL SEAT(A)	RPTFE
8	BALL	304/316
9	BALL SEAT(B)	RPTFE

DIMENSION TABLE(mm)

DN	Size	D	L	H	W
8	1/4"	7.0	42.0	25.0	22.8
10	3/8"	7.0	42.0	25.0	22.8
15	1/2"	9.0	47.0	28.5	22.8