

**Sand Filter**  
7024310

Technical Drawing

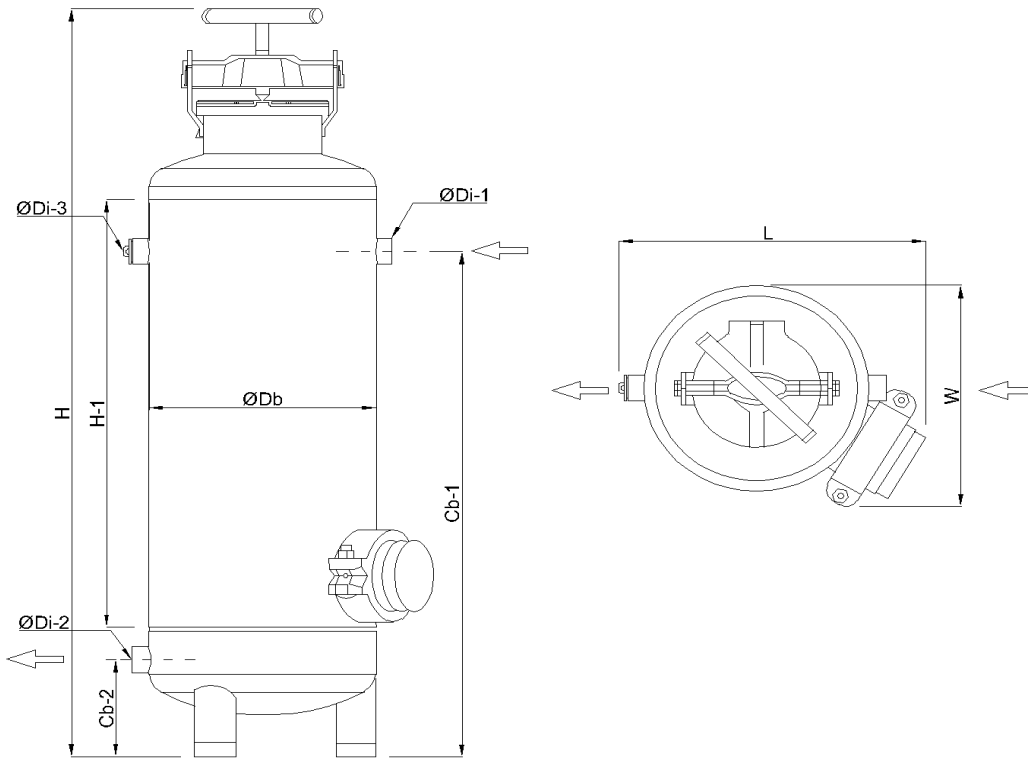


Table of size in (mm)

Model	L	W	H	H-1	Cb-1	Cb-2	Db	Di-1	Di-2	Di-3	Recom. Flow Rate (m <sup>3</sup> /h)	Backwash Flow Rate (m <sup>3</sup> /h)	Filtration area (m <sup>2</sup> )	Weight Unit (kg)	No. Gravel bags of 25 kg
7024310	439	348	1163	669	785	150	12"	1"	1"	1"	3.5-5	6	0.07	45	2