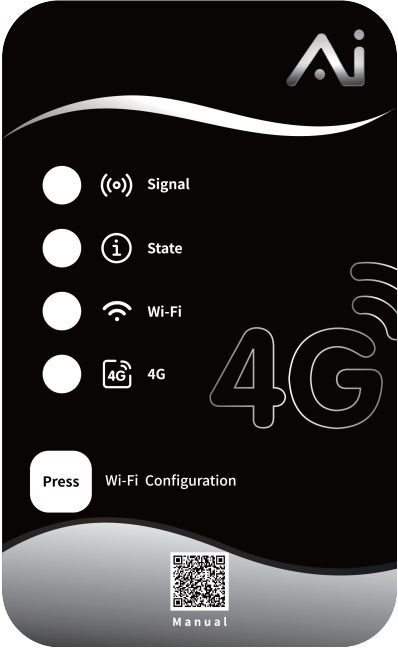


AI Module USER'S MANUAL



Please read this user's manual carefully before use
Please keep this user's manual properly

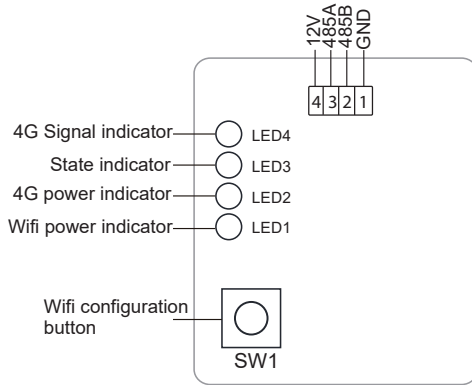
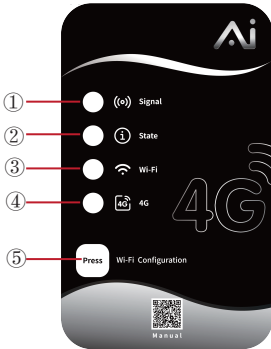
Disposal instructions



Disposal of the old appliance

Appliance marked with the symbol shown here must not be disposed of in the domestic refuse. You are obliged to dispose of such old electronic appliances separately. Please consult your local authority about the possibilities of organised disposal. With this environment-friendly form of disposal, old appliances are recycled or used in other forms.

LED introduction



No	Name	Color	Status
①	4G Signal Assessment: RSRP (From weak to strong)	White	Abnormal
		Red	$-115 \leq \text{RSRP} < -105$
		Yellow	$-105 \leq \text{RSRP} < -95$
		Orange	$-95 \leq \text{RSRP} < -85$
		Green	$\text{RSRP} \geq -85$
②	State indicator	Green	Successfully connected, operating normally
③	WIFI power indicator	Green	Steady on, indicates WiFi card in use
		Purple	Searching for WiFi
		Blue	Connecting to router
		Red	Waiting for IP assignment
		Yellow	Checking external network connectivity
④	4G power indicator	Green	Steady on, indicates using 4G network card
		Purple	Detecting SIM card
		Blue	RF circuit initialization
		Red	Connecting to base station, waiting for handover
		Yellow	Waiting for IP assignment
⑤	Wifi configuration button		Click to go to distribution step

Product Parameter Instructions

1. Basic Operating Parameters

Parameter	Specification
Power Supply Voltage	12~24V
Supply Current	1A
Working Temp	-20~75℃
Storage Temp	-25~85℃

2. WiFi Function Parameters

Parameter	Specification
WLAN Protocol	IEEE 802.11a/b/g/n/ac/ax
WiFi Frequency Band	2.4GHz/5GHz
WiFi Modulation Mode	DSSS/CCK/BPSK/QPSK/16QAM/64QAM/256QAM/1024QAM
Channel Bandwidth	20MHz/40MHz
Working Mode	AP/STA
Bluetooth Protoco	BLE5.4
Physical Layer Max Data Rate	802.11b: 11 Mbps 802.11g: 54 Mbps 802.11n: 150 Mbps 802.11ac: 200 Mbps 802.11ax: 286.8 Mbps

3. LTE Function Parameters

Parameter	Specification
Frequency Band Info	B1/3/5/7/8/20/28
LTE-FDD	B38/40/41
Max Data Rate (FDD)	10 Mbps (Downlink) / 5 Mbps (Uplink)
Max Data Rate (TDD)	8.96 Mbps (Downlink) / 3.1 Mbps (Uplink)

Download APP

- For iOS system, search "Aqua temp" in App Store to download;
For Android system, search "Aqua temp" in Google Play to download.
- Or please scan the following QR code to download APP.



Disclaimer



Dear user, if your device has installed and used 4G/WIFI data transmission equipment, please read the following data collection and processing statement carefully.

Data transmission

According to the provisions of the General Data Protection Regulation (DSGVO), we would like to inform you that we will collect the operating data of your equipment, including the basic working information of the heat pump equipment, such as: switch machine, mode, set temperature and related configurable parameters, etc. ; Data detected during heat pump operation, such as: temperature, pressure, switch value, current, voltage, water flow and other data. This data will be transferred to our servers in China for processing. User data, such as: account number, email address, password, name, gender, birthday and other sensitive personal data will be stored in a server in Germany and will not be transmitted to China. We would like to clearly inform you of possible risks during data transmission. There is a risk of data leakage during the transmission process, and there is also a risk of data leakage in China, the destination of data transmission, due to the relatively imperfect data protection legal system. Despite these risks, we would like to emphasize that we will ensure your data is as secure as possible by means of advanced data protection technologies and strict internal data protection regulations. It should be noted that we only collect and use operational data to optimize your user experience and improve our services. We will strictly abide by laws and regulations and strictly control data transmission. We will not export personal data without your express consent

We recommend that you read our full Privacy Policy, which details the data collected, how it is used and the privacy practices we take. If you have any concerns or questions about data processing, please contact our Privacy Team and they will be happy to assist you..

Remote operation for the Data

For efficient remote maintenance, we access European servers from locations located outside Europe, including China. We would like to emphasize that we have taken all necessary measures to ensure that this data transfer complies with the provisions of the General Data Protection Regulation (DSGVO). When performing remote maintenance of European servers from a location outside Europe, we comply with all relevant data protection legal requirements. This includes employing appropriate legal mechanisms, such as standard contractual clauses, to ensure that appropriate data protection measures are in place. Through these measures, we ensure the appropriate protection and processing of personal data during remote maintenance.

However, it is important to note that there is always some risk when transferring data across borders. Although we take reasonable technical and organizational measures to ensure the security of transmitted data, we cannot provide absolute security guarantees. Users are responsible for taking their own precautions to ensure the security of their data.

Additionally, we would like to emphasize that access to European servers from locations outside of Europe is for maintenance and troubleshooting purposes only of. We undertake to treat the transmitted data confidentially and not to use them for purposes other than remote maintenance. The processing of the transferred data will comply with the applicable data protection laws and the requirements of the General Data Protection Regulation (DSGVO).

The way to end the data collection

- If your heat pump has installed the 4G data transmission device, you could disconnect the power supply of the 4G data transmission device to end the transmission.
- If you heat pump has installed the WIFI data transmission device, you could end the power supply of the WIFI data transmission device, or change the passport of the WIFI to end the transmission.