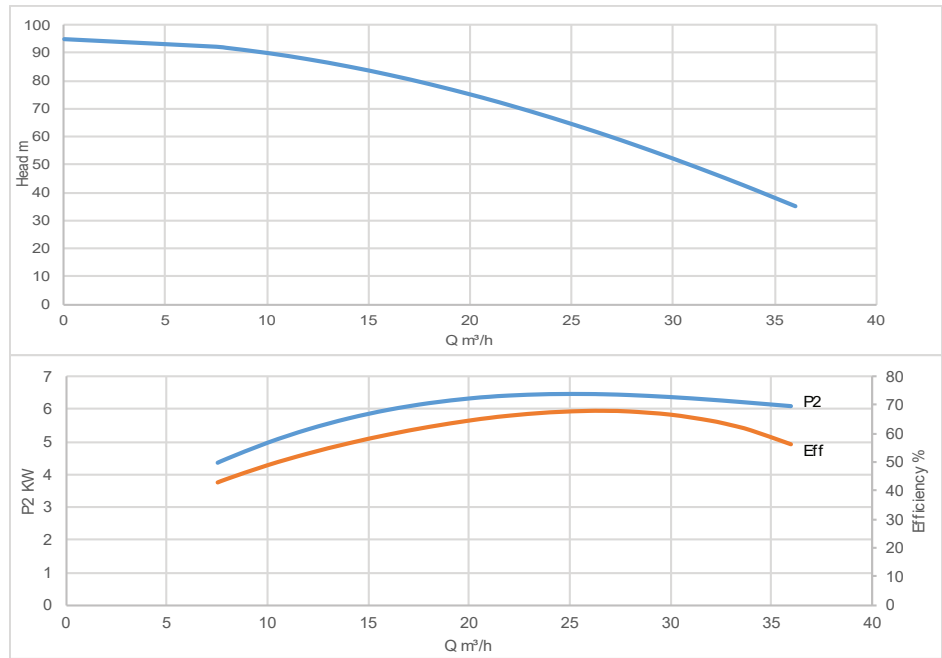
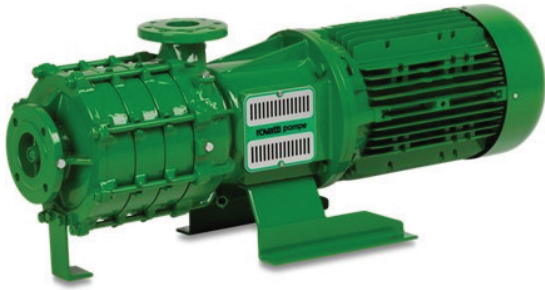


Rovatti Horizontal multi-stage pump, type ME



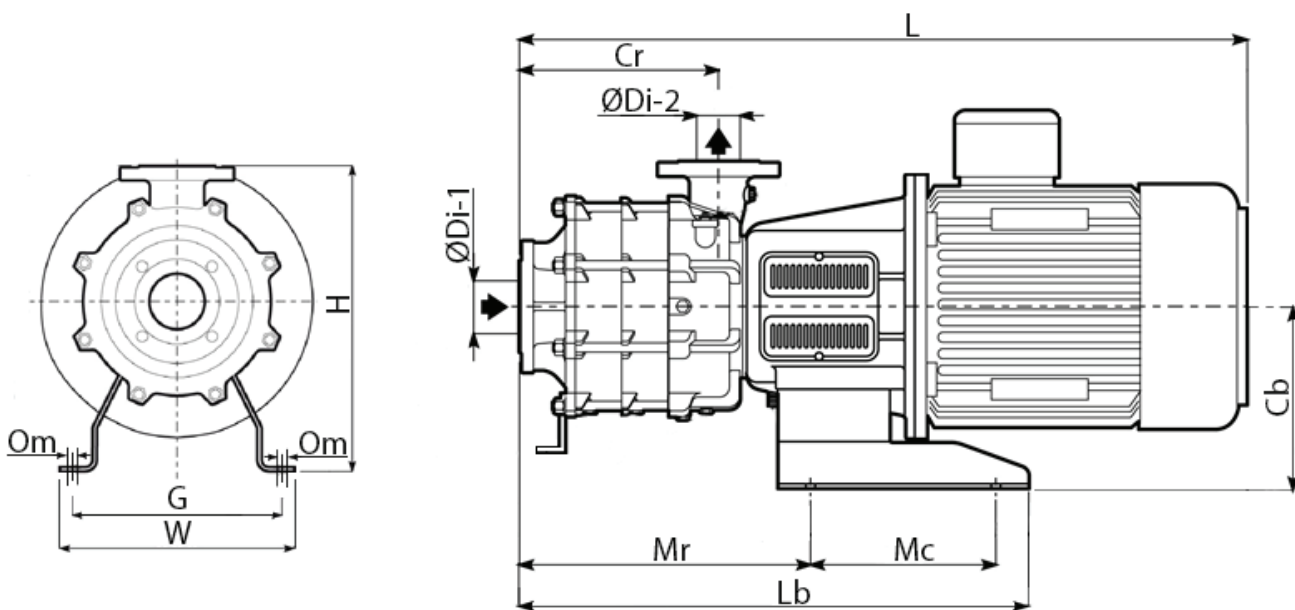
Performance Curve

Pump data

Pump Model	P2		Connections		Full Load Current (A)	Rated Voltage (V)
	HP	kW	Di-1	Di-2		
7024380	10	7.5	65	50		400V

Q (m³/h)	0	7.5	12	18	21	24	27	30	33	36
H (m)	95	92	88	79	73	66.5	60	52	44	35

Pump Diagram



Model	L	W	H	Lb	Cb	Mr	Mc	Cr	Om	G	Di-1	Di-2
7024380		380	465	738	275	408	280	250	14	330	65	50