

**IN-LINE FILTER
FAMILY -7024319M**

Technical Drawing

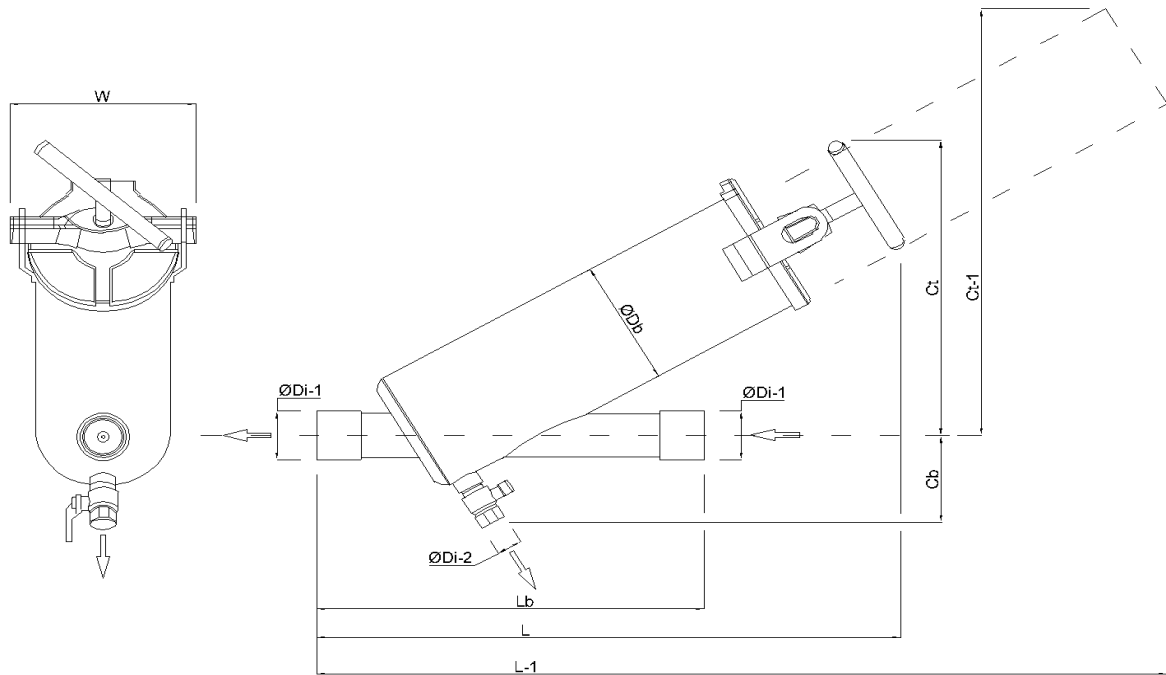


Table of size in (mm)

Model	L	L-1	Lb	W	Cb	Ct	Ct-1	Db	Di-1	Di-2	Max. Recom. Flow Rate (m ³ /h)	Weight Package (kg)	Volumen Package LxWxH (m)
7024319	514	585	480	230	127	280	310	6"	2"	3/4"	25	16.2	0.55×0.32×0.29
7024320	720	1055	480	230	117	405	583	6"	2"	3/4"	30	22.8	0.67×0.55×0.28
7024321	733	1056	609	230	137	383	539	6"	3"	3/4"	40	31.9	0.67×0.55×0.28
7024322	885	1306	746	298	163	450	670	8"	4"	1"	80	43.8	0.84×0.64×0.32

GRAPH-Pressure loss at 120 micron

