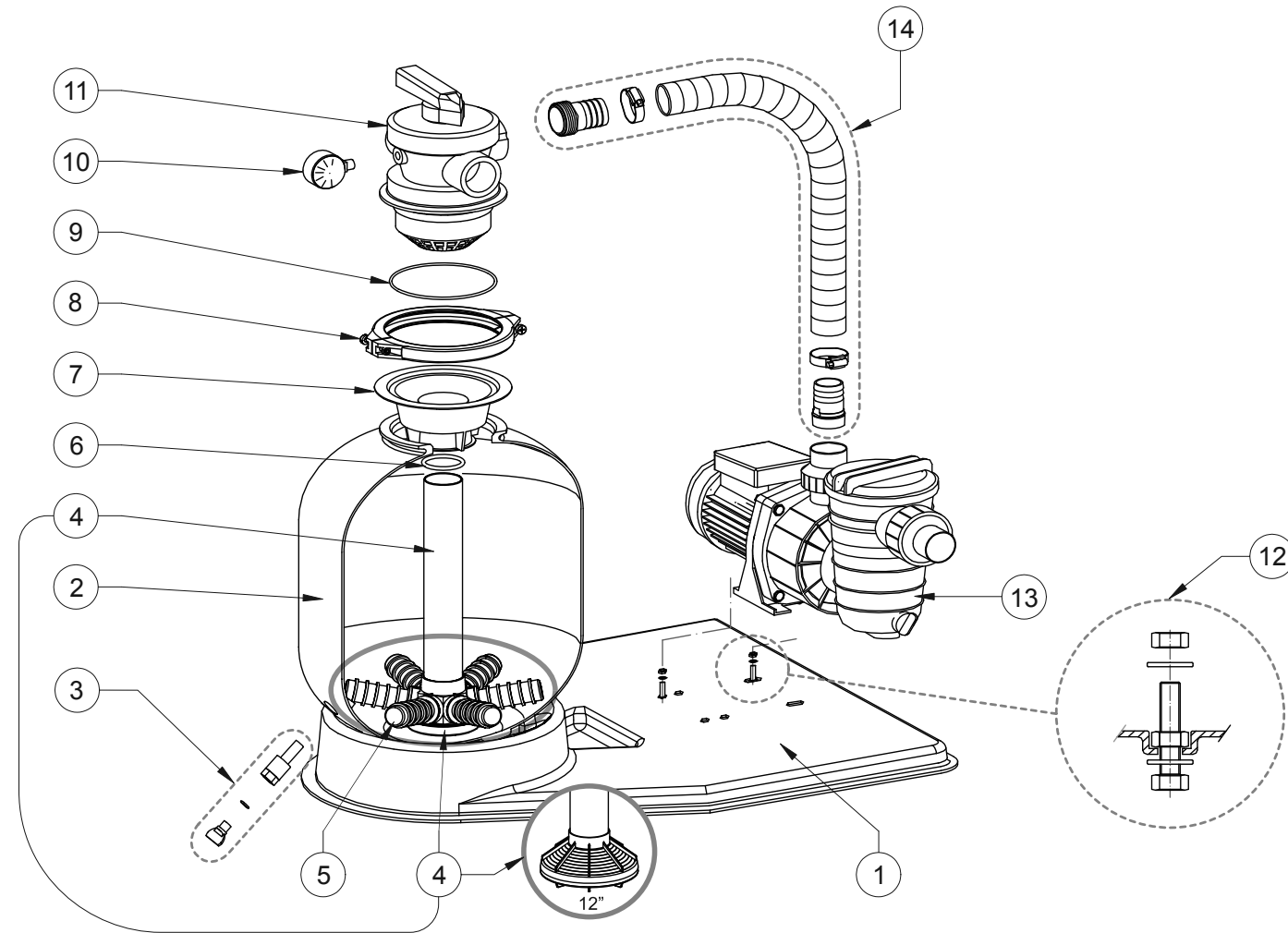


PENTAIR FILTER SET, AZUR

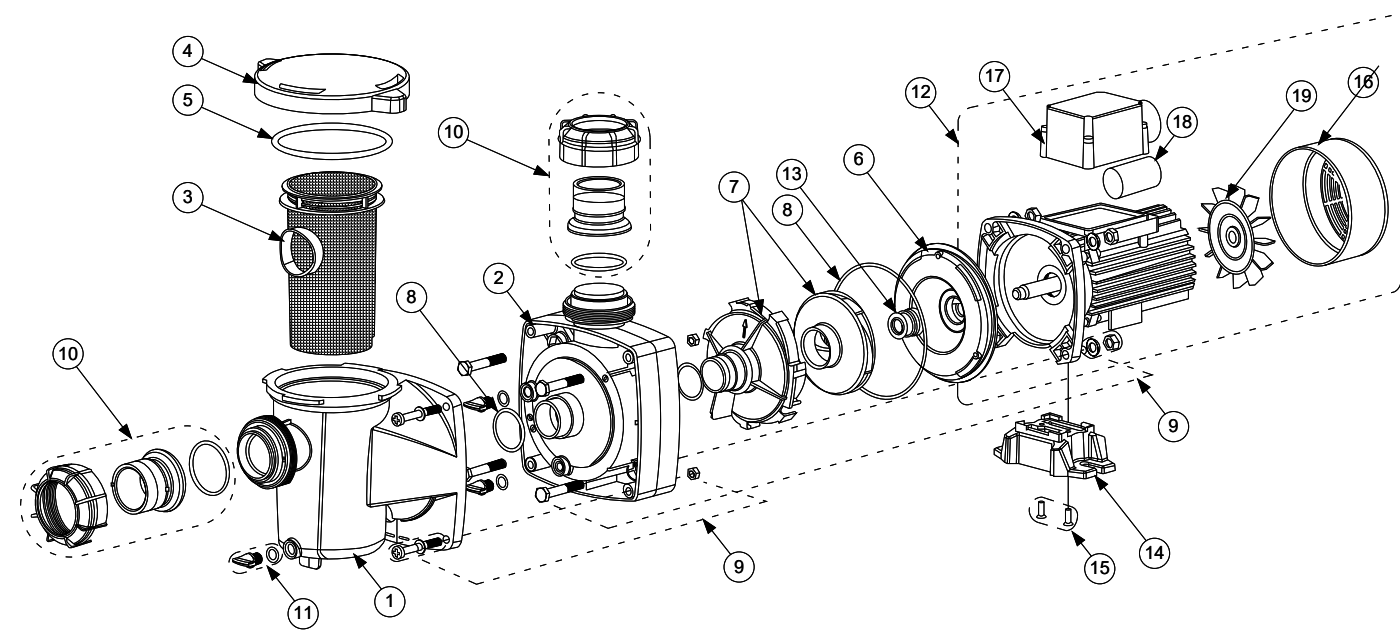


PENTAIR FILTER SET, AZUR

NR.	DESCRIPTION	PART NR. INCLUDES	PART NR.
1	Base Plate 15" - 19" - 22"	1	
2	Replacement Shell Azur 15"	1	
	Replacement Shell Azur 19"	1	
	Replacement Shell Azur 22"	1	
3	Drain Kit	1	
4	Stand Pipe Kit (incl. Hub) 15"	1	
	Stand Pipe Kit (incl. Hub) 19"	1	
	Stand Pipe Kit (incl. Hub) 22"	1	
5*	Lateral 15" & 19"	1	
	Lateral 22"	1	
6*	O-Ring	1	
7	Sand Guide	1	
8	Clamp	1	
9	O-Ring	1	
10	Manometer - Pressure Gauge (bottom connection)	1	
11**	Valve 1 1/2" 6-Way (for 12", 15", 19" & 22")	1	
12	Hardware Kit	1	
13 ***	Pump FREEFLO™ 0,37KW Mono Phase	1	
	Pump FREEFLO™ 0,55KW Mono Phase	1	
	Pump FREEFLO™ 0,75KW Mono Phase	1	
14	Pump to Filter Connection Kit 15"	1	
	Pump to Filter Connection Kit 19"	1	
	Pump to Filter Connection Kit 22"	1	

\* One filter requires 6 pieces  
 \*\* See valve sheet for valve spare parts  
 \*\*\* See freeflo sheet for pump spare parts

PENTAIR FREEFLO PUMP



PENTAIR FREEFLO PUMP

NR.	DESCRIPTION	PART NR.
1	Strainer Pot - Unions 50mm metric	
2	Pump Housing - Unions 50mm metric	
3	Strainer Basket	
4	Strainer Pot Lid	
5	O-ring	7040356
6	Seal Plate	7040357
7	Kit Impeller-Diffuser 0,25kW	
	Kit Impeller-Diffuser 0,37kW	7040358
	Kit Impeller-Diffuser 0,55kW	7040359
	Kit Impeller-Diffuser 0,75kW	7040360
	Kit Impeller-Diffuser 1,10kW	
8	O-Ring Sealing Kit	7040361
9	Bolt Hardware Kit	
10	Union Kit - 50mm	7040362
	Union Kit - 1- 1/2"	7040363
11	Drain Plug and O-ring	7040364
12	Motor - Mono Phase 0,25 & 0,37kW	
	Motor - Mono Phase 0,55kW	
	Motor - Mono Phase 0,75kW	
	Motor - Mono Phase 1,10kW	
13	Mechanical Seal	7010701
14	Motor Base	7040365
15	Screw Kit for Motor base	
16	Fancover - 0,25 & 0,37kW	7040366
	Fancover - 0,55 - 0,75 & 1,10kW	7040367
17	Capacitor box & screws	7040368
18	Capacitor 12µF - 0,25 & 0,37kW	7040369
	Capacitor 20µF - 0,55 & 0,75kW	7040370
	Capacitor 25µF -1,10kW	
19	Motor Fan - 0,25 & 0,37kW	7040371
	Motor Fan - 0,55 - 0,75 & 1,10kW	7040372
	Motor Fan Slinger	
	CABLE with EU Plug (H07RN-F)	