



# PRODUCT SPECIFICATION

FILTRATION

## ADIR MANUAL FILTERS - SCREEN & DISC 50MM & 80MM

Tavlit's professional line of plastic filters are designed for use in all irrigation systems and industry. Filters are available in sizes from 25mm to 80mm.

### FEATURES

- Body lock ring enables easy opening of the filter without the use of tools
- Stainless steel weave wire screen element (available)
- Filter disc element is secured to the body and includes a telescopic spine
- Large filtration area for handling large quantities of dirt
- Grooved plastic disc element on telescopic spine (available)

### APPLICATIONS

- Water filtration for Agriculture, Turf, domestic and industrial application
- Applicable for a wide range of flows

### SPECIFICATIONS

Recommended Flow Range:	416lpm - 833lpm
Max Recommended Operating Pressure:	1000kPa
Filtration Range:	80 - 120 mesh
Body Material:	Polypropylene & Glass Filled Nylon
End Connection Type:	Male BSP Thread
Locking Ring:	Polyamide & Glass Filled Nylon
O Ring:	EPDM



50mm Disc



80mm

MODELS	CODE
<b>50mm Flow Range: Up to 416lpm</b>	
<b>SCREEN FILTERS</b>	
50mm 80 mesh screen filter	NF2MS80
50mm 120 mesh screen filter	NF2MS120
<b>DISC FILTERS</b>	
50mm 80 mesh disc filter	NF2MD80
50mm 120 mesh disc filter	NF2MD120
<b>80mm Flow Range: Up to 833lpm</b>	
<b>SCREEN FILTERS</b>	
80mm 80 mesh screen filter	NF3MS80
80mm 120 mesh screen filter	NF3MS120
<b>DISC FILTERS</b>	
80mm 80 mesh disc filter	NF3MD80
80mm 120 mesh disc filter	NF3MD120

FILTRATION\_TAVLIT\_NF5080\_V1.05-20

www.hrproducts.com.au

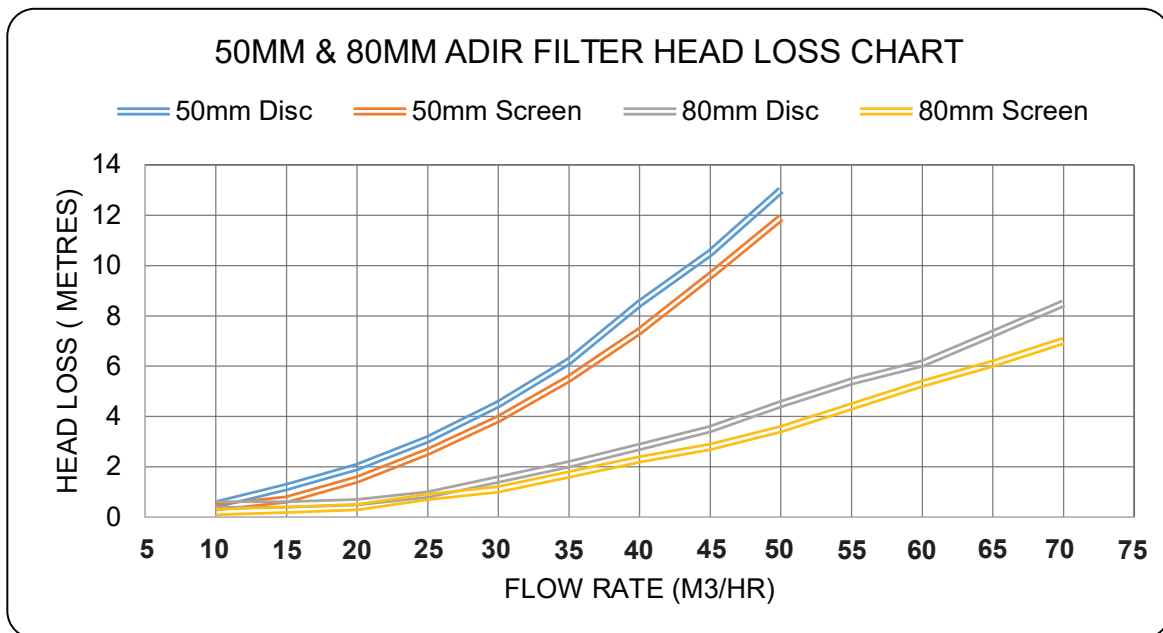


<b>PERTH</b> PH: 08 9484 6500 FAX: 08 9455 1680 hrsales@hrproducts.com.au	<b>SYDNEY</b> PH: 02 9616 1300 FAX: 02 9725 5283 infonsw@hrproducts.com.au	<b>MELBOURNE</b> PH: 03 8458 7400 FAX: 03 9457 7400 infovic@hrproducts.com.au	<b>BRISBANE</b> PH: 07 3080 6200 FAX: 07 3806 0533 infoqld@hrproducts.com.au	<b>ADELAIDE</b> PH: 08 8408 7200 FAX: 08 8341 0707 infosaa@hrproducts.com.au
------------------------------------------------------------------------------------	-------------------------------------------------------------------------------------	----------------------------------------------------------------------------------------	---------------------------------------------------------------------------------------	---------------------------------------------------------------------------------------



### ADIR MANUAL FILTERS - SCREEN & DISC 50MM & 80MM

#### HEAD LOSS CHART



50mm & 80mm Tavlit Plastic Filters - Spare Parts Screen and Disc Elements	
NFSI80B	80 mesh screen for 50mm & 80mm Tavlit filter bodies - Blue
NFSI120B	120 mesh screen for 50mm & 80mm Tavlit filter bodies - Red
NEFD80B	80 mesh disc for 50mm & 80mm Tavlit filter bodies - Yellow
NEFD120B	120 mesh disc for 50mm & 80mm Tavlit filter bodies - Red

FILTRATION\_TAVLIT\_NF5080\_V1.05-20

[www.hrproducts.com.au](http://www.hrproducts.com.au)



**PERTH**

PH: 08 9484 6500

FAX: 08 9455 1680

[hrsales@hrproducts.com.au](mailto:hrsales@hrproducts.com.au)

**SYDNEY**

PH: 02 9616 1300

FAX: 02 9725 5283

[infonsw@hrproducts.com.au](mailto:infonsw@hrproducts.com.au)

**MELBOURNE**

PH: 03 8458 7400

FAX: 03 9457 7400

[infovic@hrproducts.com.au](mailto:infovic@hrproducts.com.au)

**BRISBANE**

PH: 07 3080 6200

FAX: 07 3806 0533

[infoqld@hrproducts.com.au](mailto:infoqld@hrproducts.com.au)

**ADELAIDE**

PH: 08 8408 7200

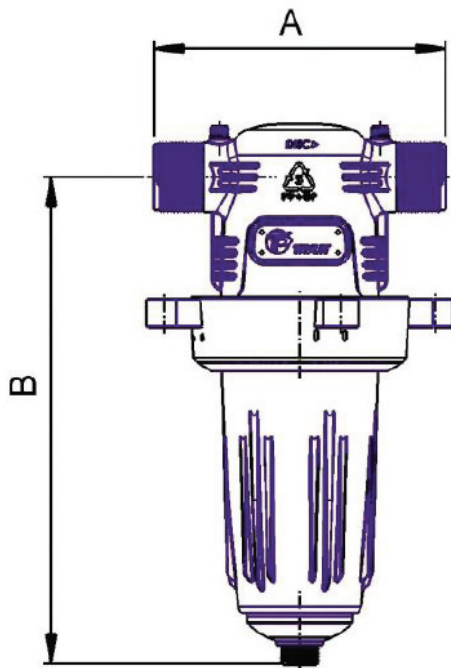
FAX: 08 8341 0707

[infossa@hrproducts.com.au](mailto:infossa@hrproducts.com.au)



## ADIR MANUAL FILTERS - SCREEN & DISC 50MM & 80MM

### FILTER DIMENSIONS



50mm

80mm

#### Filter Dimensions

A: 280mm  
B: 420mm  
Weight: 4.6kgs

#### Filter Dimensions

A: 280mm  
B: 450mm  
Weight: 5.3kgs

### FILTER ELEMENTS

In order to respond to the various needs Tavitl offers the Adir line of filters with two types of filter elements:

1. **Stainless Steel** - Stainless steel weave wire screen.
2. **Grooved Plastic** - disc elements stacked together on a telescopic spine that can be released in order to perform proper flushing of the dirt accumulated on and between the discs.

A wide range of filtration degrees is offered for various applications.



### FILTER ELEMENTS

Mesh/Micron	80/200		120/120	
Stainless Steel Screen	Blue		Red	
Disc	Yellow		Red	

- Mesh count per Linear inch.
- Micron in approximate values may vary between element types

FILTRATION\_TAVLIT\_NF5080\_V1.05-20

[www.hrproducts.com.au](http://www.hrproducts.com.au)



PERTH

PH: 08 9484 6500

FAX: 08 9455 1680

[hrsales@hrproducts.com.au](mailto:hrsales@hrproducts.com.au)

SYDNEY

PH: 02 9616 1300

FAX: 02 9725 5283

[infonsw@hrproducts.com.au](mailto:infonsw@hrproducts.com.au)

MELBOURNE

PH: 03 8458 7400

FAX: 03 9457 7400

[infovic@hrproducts.com.au](mailto:infovic@hrproducts.com.au)

BRISBANE

PH: 07 3080 6200

FAX: 07 3806 0533

[infoqld@hrproducts.com.au](mailto:infoqld@hrproducts.com.au)

ADELAIDE

PH: 08 8408 7200

FAX: 08 8341 0707

[infosa@hrproducts.com.au](mailto:infosa@hrproducts.com.au)