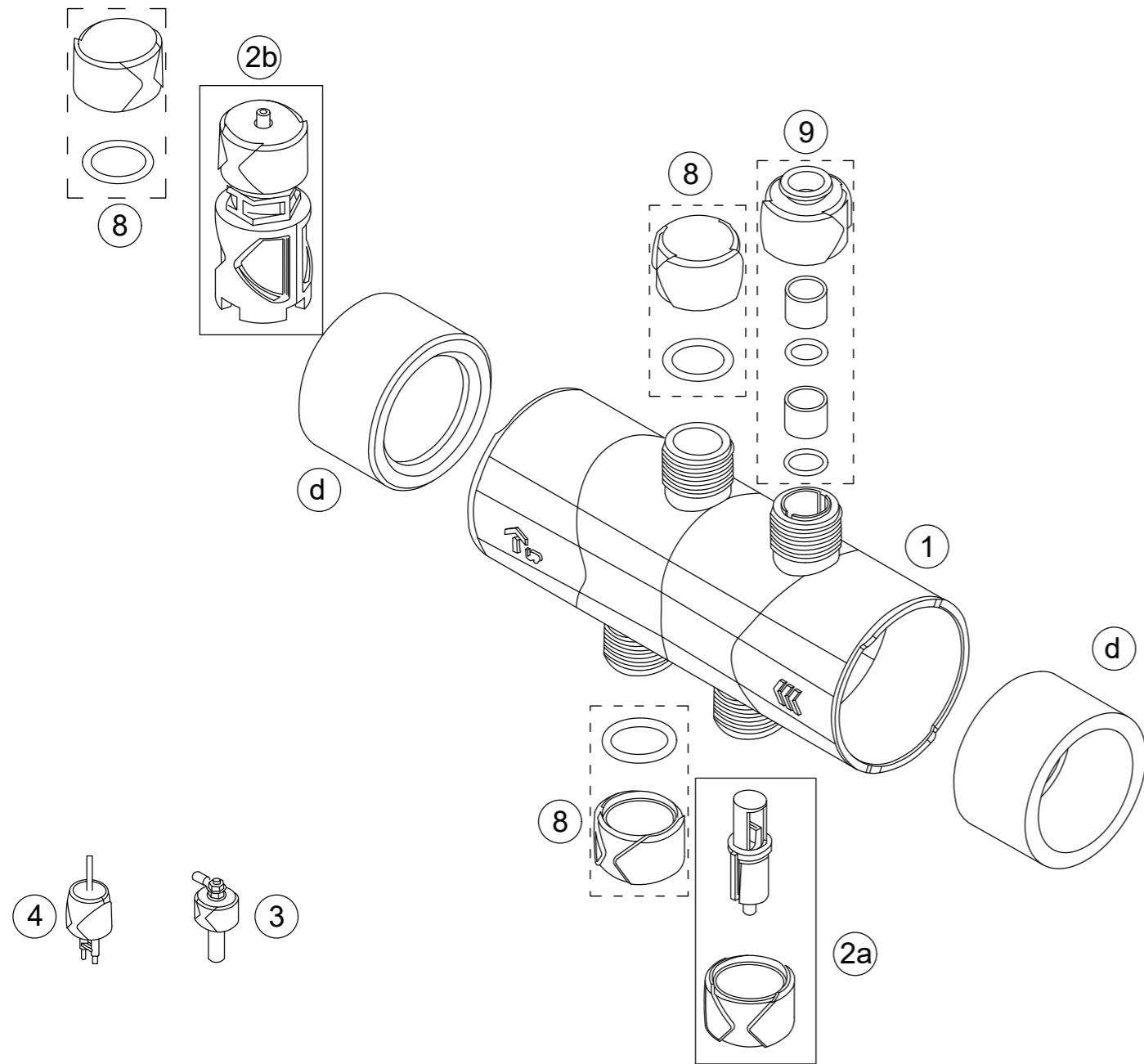


7033746 - NORSUP SALT CHLORINATOR, TYPE OCEANCLEAR LS 2022



7033746 - NORSUP SALT CHLORINATOR, TYPE OCEANCLEAR LS 2022



NR.	DESCRIPTION	PART NR.
1	Accessory Holder 2021 + pH pre-mounted transp	7033446
2	Injection kit (1 inj + 1 suction strainer)	7033447
2a	Injection kit	7033448
2b	Suction strainer	7033449
3	Electrode pool terre 30 mm (with gasket)	7033450
4	Salt and temperature sensor (with gasket)	7033451
5	Flow Switch for and Norsup dosing system V0/V2	7033452
6	Flow Switch for Norsup combined saltwater chlorinator and pH system V3/V4 RCA	7033453
8	Winter cap with gasket	7033454
9	Probe holder	7033455