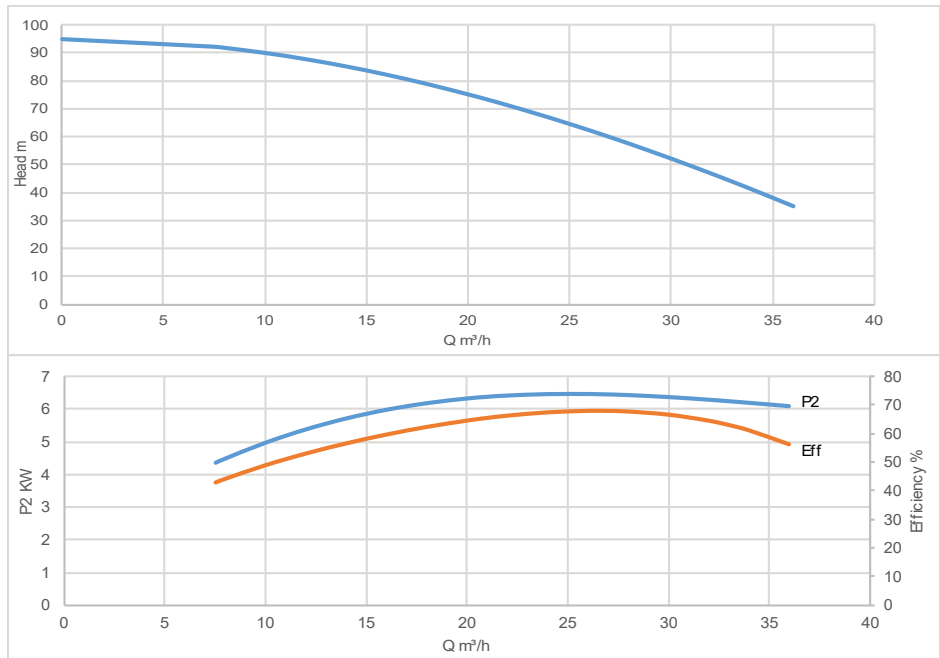


Rovatti Vertical multi-stage pump, type ME



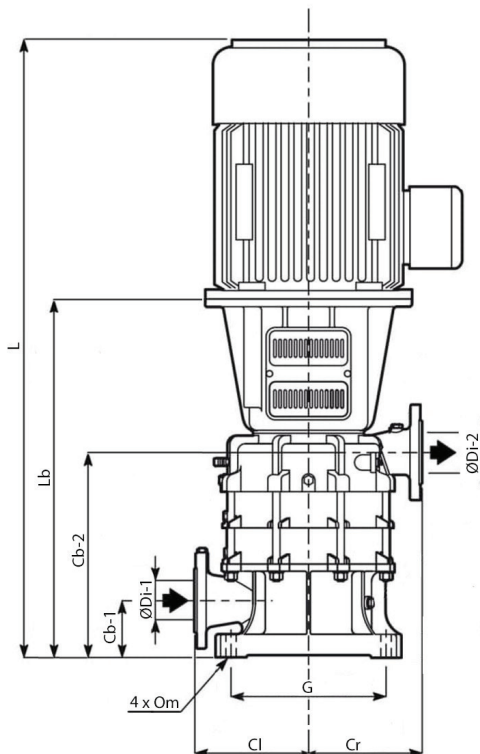
Performance Curve

Pump data

Pump Model	P2		Connections		Full Load Current (A)	Rated Voltage (V)
	HP	kW	Di-1	Di-2		
7024346	10	7.5	65	50		400V

Q (m³/h)	0	7.5	12	18	21	24	27	30	33	36
H (m)	95	92	88	79	73	66.5	60	52	44	35

Pump Diagram



Model	L	Lb	Cl	Cr	Cb-1	Cb-2	G	Om	Di-1	Di-2
7024346		595	190	190	100	280	225	18	65	50